

A x 1
Spout

TOOLS INCLUDED



Allen key

TOOLS REQUIRED



Wrench



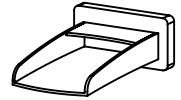
Measuring
tape



Teflon tape

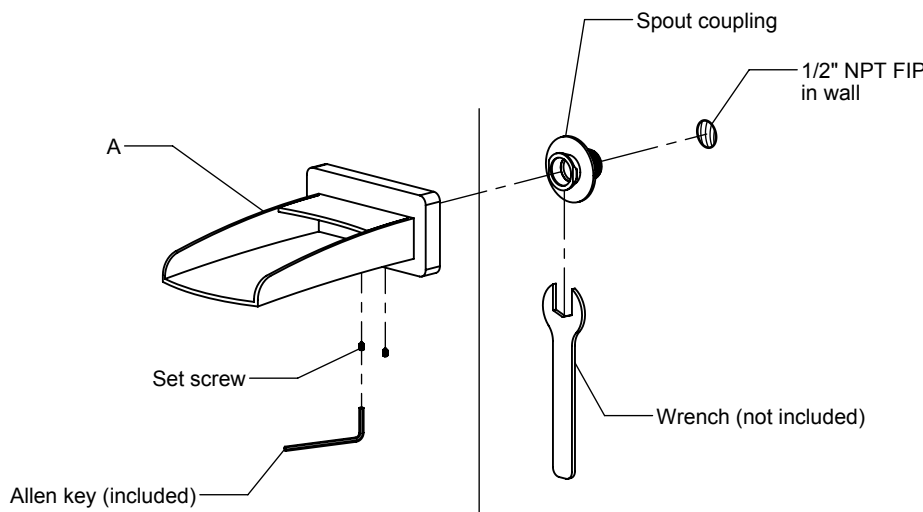


Pencil



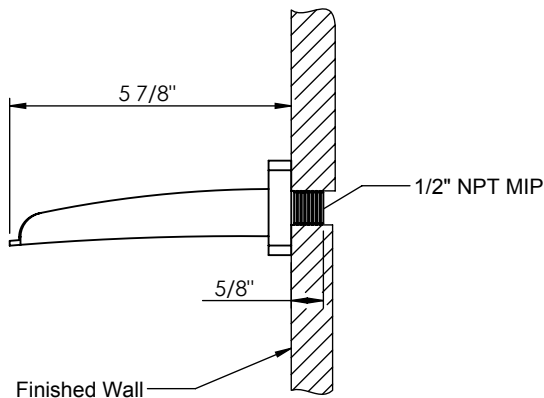
IS9010
Finished view

INSTALLATION INSTRUCTIONS

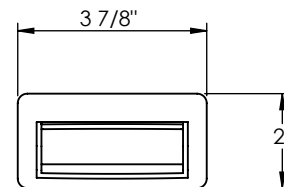


- 1 Figure out desired placement of the spout A in shower wall. Plumb at desired location with 1/2" NPT FIP so that the flange of the spout coupling sits flush with finished wall when fully inserted.
- 2 Screw the spout coupling into wall using a wrench (not provided). Use teflon if necessary. Flange of coupling must sit flush with the finished wall.
- 3 Insert spout A into coupling so that the base of spout makes contact with finished wall. Tighten both set screws using the provided Allen Key.

SPOUT IS9010 SPECS



SIDE VIEW



FRONT VIEW